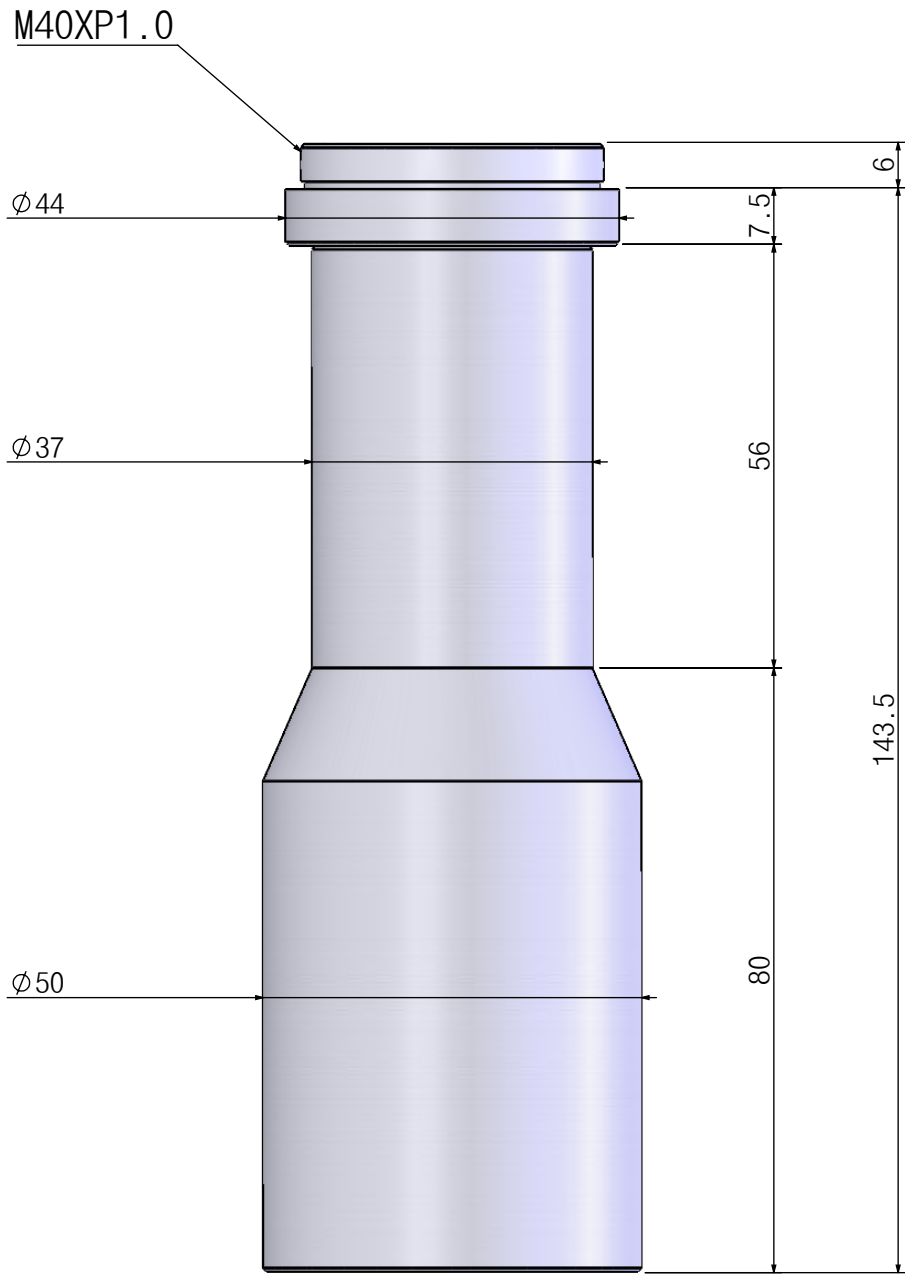


본 도면은 리스광시스템(주)의 자산이므로 허가없이 복제 및 외부 반출을 금함.
 This drawing and ideas are protected by LEES Optical System, Inc.



TUBE MAGNIFICATION	EFFECTIVE FOCAL LENGTH	NA	F/Number	Optical Maximum Distortion	Sensor Size
1.2X	240mm	0.025	20	<0.004%	30mm

CORPORATE NAME	MODEL (ON/COAXIAL)	SCALE
	TITLE	1:1
	IR-F240-TELE	DIMENSIONS
		mm