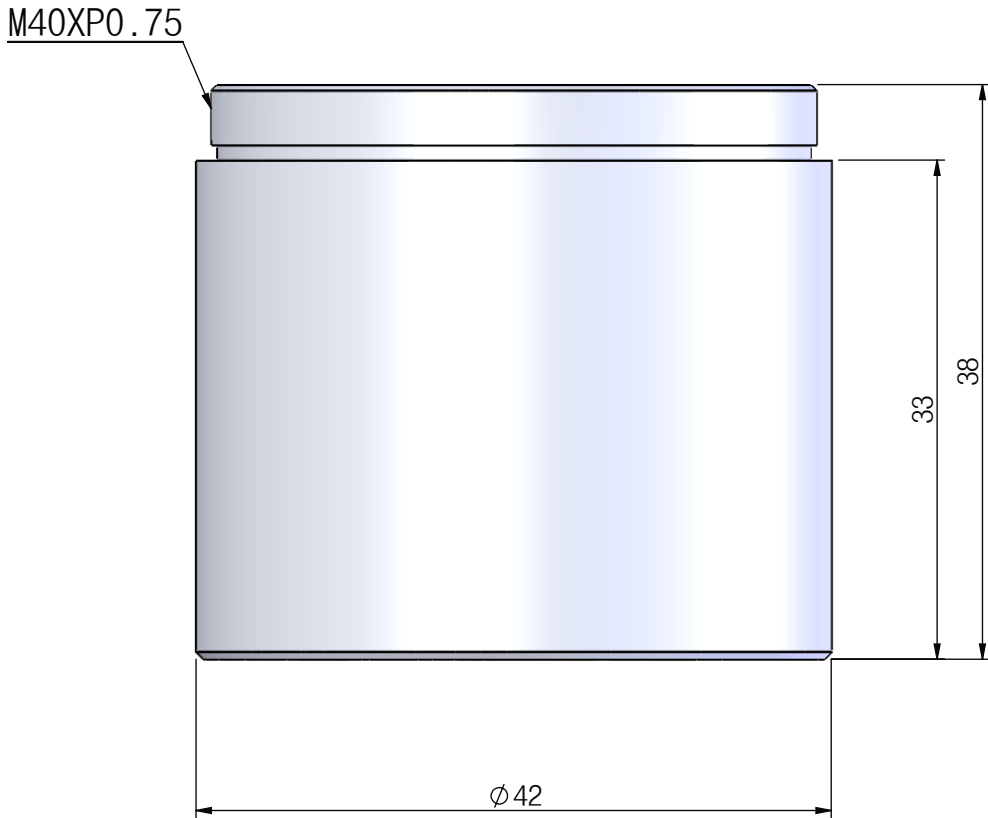



본 도면은 리스광시스템(주)의 자산이므로 허가없이 복제 및 외부 반출을 금함.
 This drawing and ideas are protected by LEES Optical System, Inc.



TUBE MAGNIFICATION	EFFECTIVE FOCAL LENGTH	NA	F/Number	Optical Maximum Distortion	Sensor Size
0.5X	100mm	0.059	8.3	<0.15%	11mm

CORPORATE NAME	MODEL (ON/COAXIAL)	Scale
	TITLE	2:1
	TUBE LENS ETC	Dimensions
	CWT-F100	mm