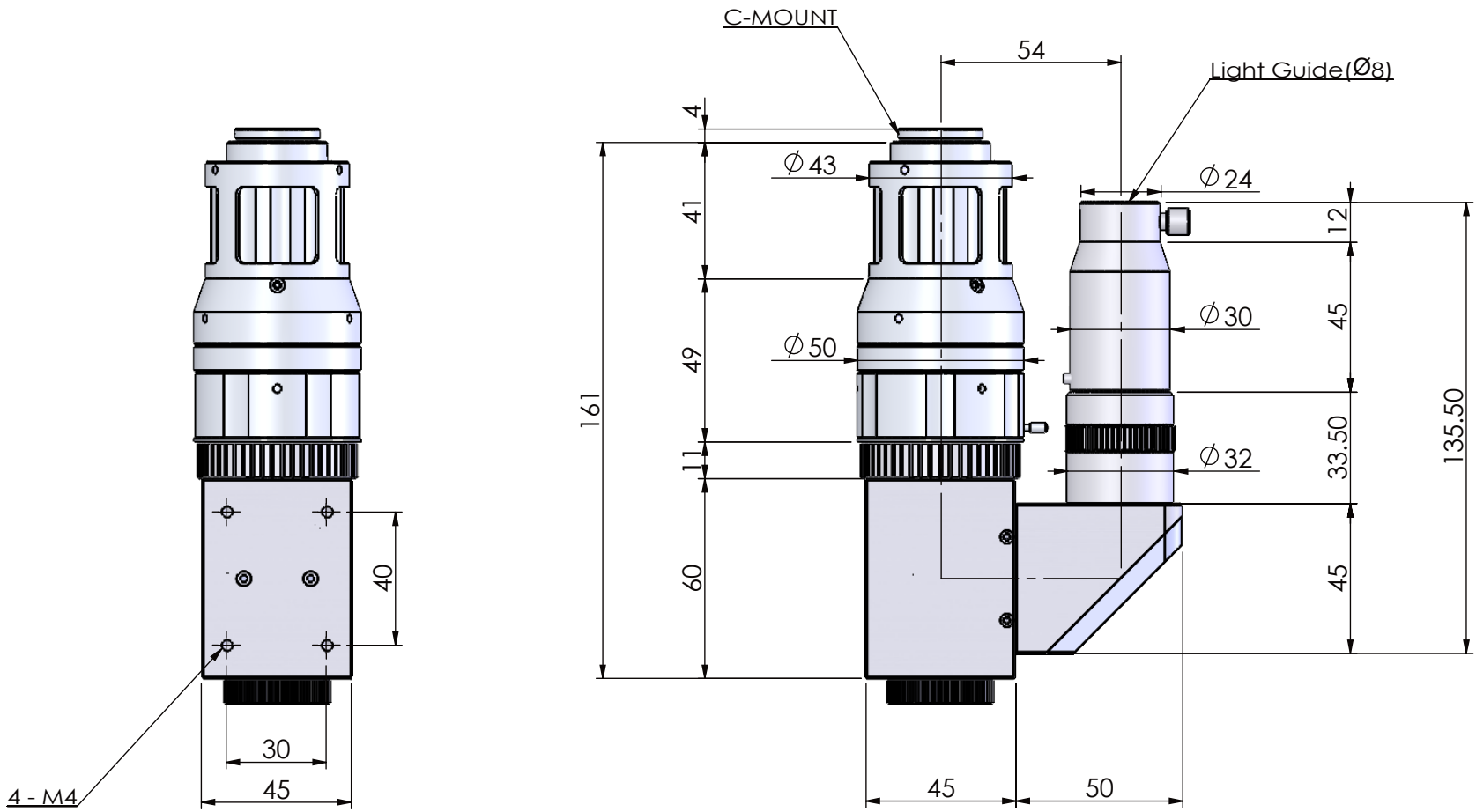


REV. NO	REVISION NOTE	DATE	SIGNATURE	CHECKED
△				

본 도면은 리스광시스템(주)의 자산이므로 허가없이 복제 및 외부 반출을 금함.
 This drawing and ideas are protected by LEES Optical System, Inc.



EFL pt TUBE LENS	Mag Of Tube Lens	Mag on CCD	Illumination Method	MOUNT	SCALE	ANGLE	DESIGNED BY	CHECKED BY	APPROVED BY	TITLE	CVMS-CA
					1:2		송기석				
50/100/150/200(mm)	0.25X/0.5X/0.75X/1.0X	Magfication is changed according to objective lens	Koehler Illumination	C-MOUNT	MM	INCH	2017-11-15			DWG. NO	L0S-LVS0811-R04-00(CVMS-CA)
					0. ±0.1 0.0 ±0.05 0.00 ±0.01 0.000 ±0.002	0.0 ±0.04 0.00 ±0.02 0.000 ±0.004 0.0000 ±0.0002	LEESOS SINCE 1999				

4