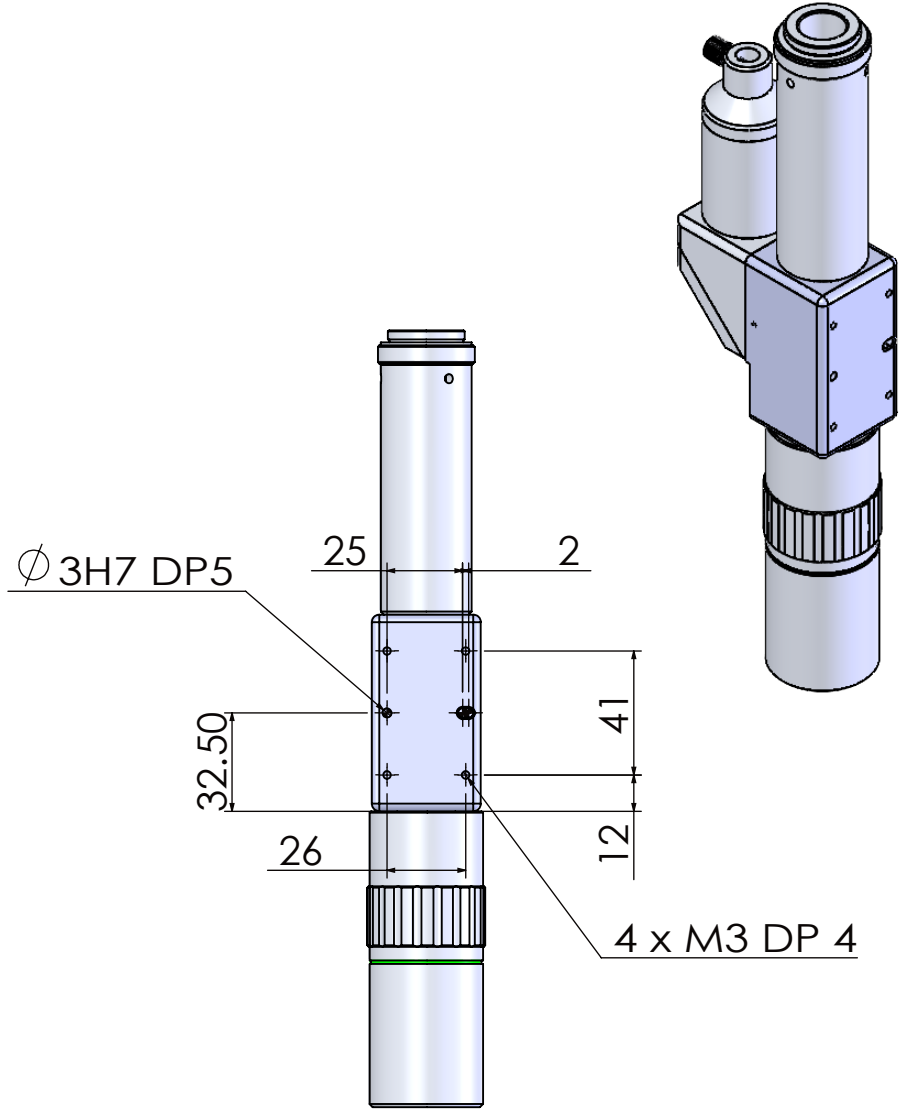
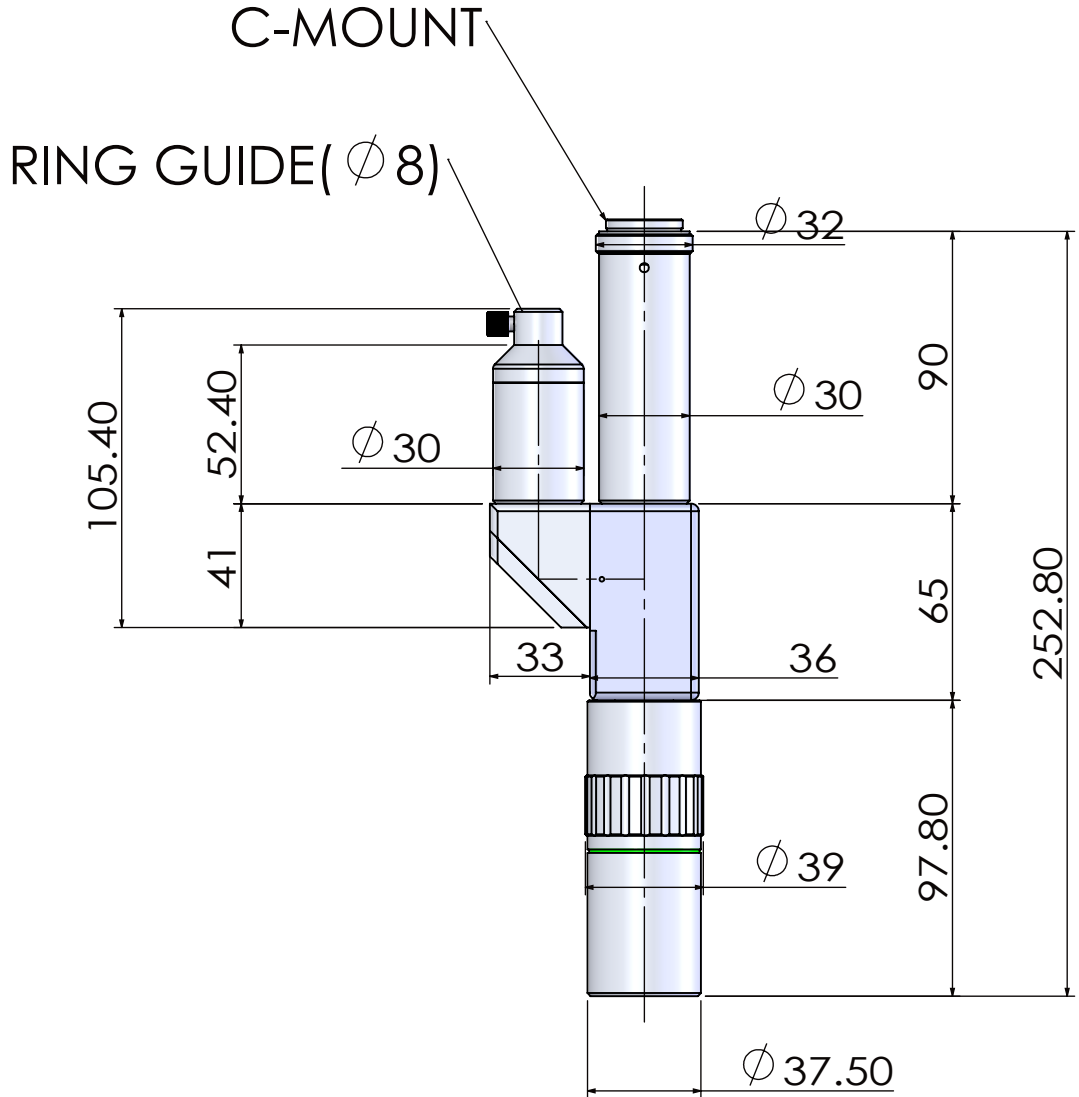


REV. NO	REVISION NOTE	DATE	SIGNATURE	CHECKED
△				

본 도면은 리스광시스템(주)의 자산이므로 허가없이 복제 및 외부 반출을 금함.  
 This drawing and ideas are protected by LEES Optical System, Inc.



OPTICAL MAGNIFICATION	WD(mm)	DEPTH OF FIELD	RESOLUTION	NA	F.O.V	MOUNT	SCALE	ANGLE	DESIGNED BY	CHECKED BY	APPROVED BY	TITLE	CVMS-20-OL
							1:2.5		김필상				
20X	25	2.2um	0.95um	0.35	2/3" Sensor : 0.44 x 0.33mm 1/2" Sensor : 0.32 x 0.24mm 1/3" Sensor : 0.24 x 0.18mm	C-MOUNT	MM	INCH	2017-04-12			DWG. NO	CVMS-20-OL
							0. ±0.1 0.0 ±0.05 0.00 ±0.01 0.000 ±0.002	0.0 ±0.04 0.00 ±0.02 0.000 ±0.004 0.0000 ±0.0002	<b>LEESOS</b> SINCE 1999				