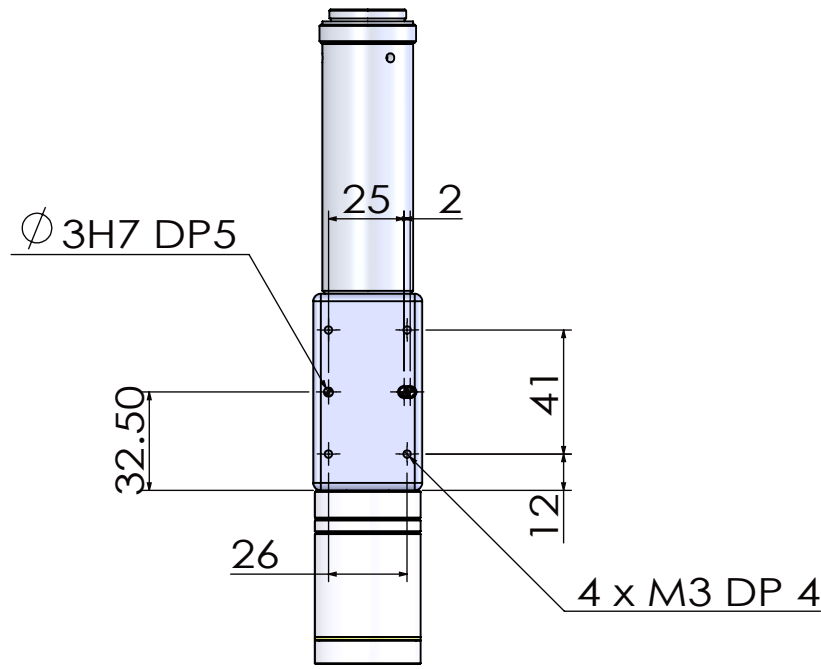
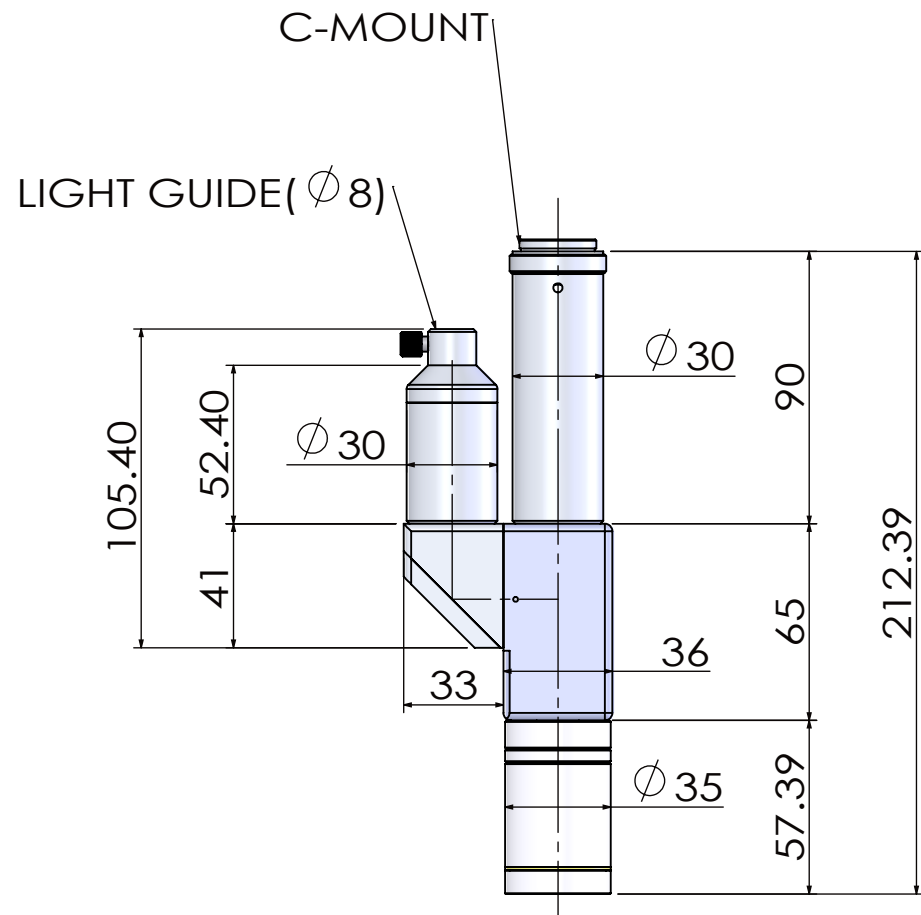
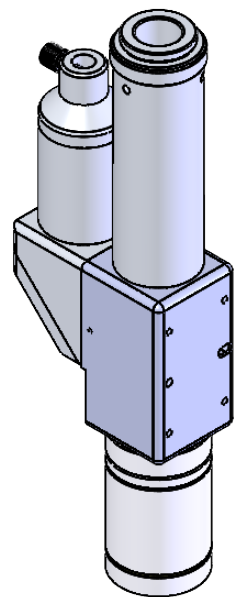


REV. NO	REVISION NOTE	DATE	SIGNATURE	CHECKED
△				



본 도면은 리스광시스템(주)의 자산이므로 허가없이 복제 및 외부 반출을 금함.
 This drawing and ideas are protected by LEES Optical System, Inc.

4

OPTICAL MAGNIFICATION	WD(mm)	DEPTH OF FIELD	RESOLUTION	NA	F.O.V	MOUNT	SCALE	ANGLE	DESIGNED BY	CHECKED BY	APPROVED BY	TITLE	
							1:2.5		김필상			TITLE	CVMS-10-OL
10X	50.5	6.2um	1.59um	0.21	2/3" Sensor : 0.88 x 0.66mm 1/2" Sensor : 0.64 x 0.48mm 1/3" Sensor : 0.48 x 0.36mm	C-MOUNT	MM	INCH	2019-04-19			DWG. NO	CVMS-10-OL
							0. ±0.1 0.0 ±0.05 0.00 ±0.01 0.000 ±0.002	0.0 ±0.04 0.00 ±0.02 0.000 ±0.004 0.0000 ±0.0002	 SINCE 1999				